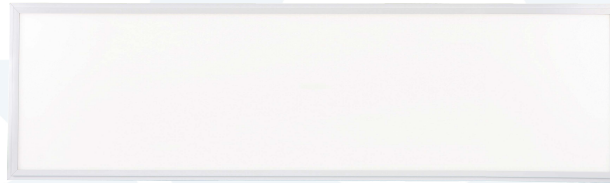


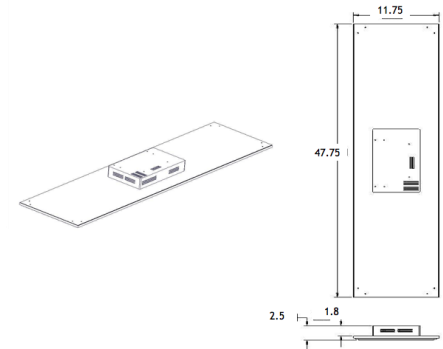
Flat Panel

GFR14

298mm x 1200mm x 63mm
(1x4 x 2.5" nominal)



Project: _____
Type: _____
Catalog No: _____
Qty: _____
Specifiers: _____
Line Notes: _____



Ordering Guide

Series	Mount Method	CCT	Wattage	Control Type	Input Voltage	Wet/Dry	Body Finish
GXXXX	X	XX	XXW	X	XXXV	XXXXX	XXXXX
	<p>T T-Bar Drop In (Standard)</p> <p>P Pendant Mount (Requires pendant kit)</p> <p>R Recessed (Requires recessed mounting kit)</p> <p>S Surface Mount / Wall Mount (Requires surface mounting kit)</p>	<p>3000K (+/- -100k)</p> <p>3500K (+/- -100k)</p> <p>4000K (+/- -100k)</p> <p>4500K (+/- -100k)</p> <p>5000K (+/- -100k)</p> <p>5500K (+/- -100k)</p> <p>6000K (+/- -100k)</p> <p>6500K (+/- -100k)</p> <p>ER Ergonomic Color Changing Option with user-adjustable CCT range from 2700k to 6500k</p>	<p>40W 40 Watts (Standard)</p> <p>60W 60 Watts</p>	<p>D 0-10V Dimming (Standard)</p> <p>N No Dimming required</p> <p>DALI - Dali</p>	<p>120V 120V AC/DC (Standard)</p> <p>277V 277V AC/DC</p> <p>347V 347V AC/DC</p>	<p>Wet IP 64 rated</p> <p>Dry</p>	<p>Silver / White (Standard)</p> <p>Custom colors available, please inquire.</p>

Note: Not all options are available on all fixtures. Please inquire to be sure your part number is accurate.

Optical Performance

Nominal CCT	4000K
Flux (lm)	4180
Efficacy (lm/)	110
W) Power	60
(W) CCT (K)	3983
CRI	92

Photometry 4000K

