

## GO LED Troffer

Dimmable / Networkable LED General Lighting Fixture

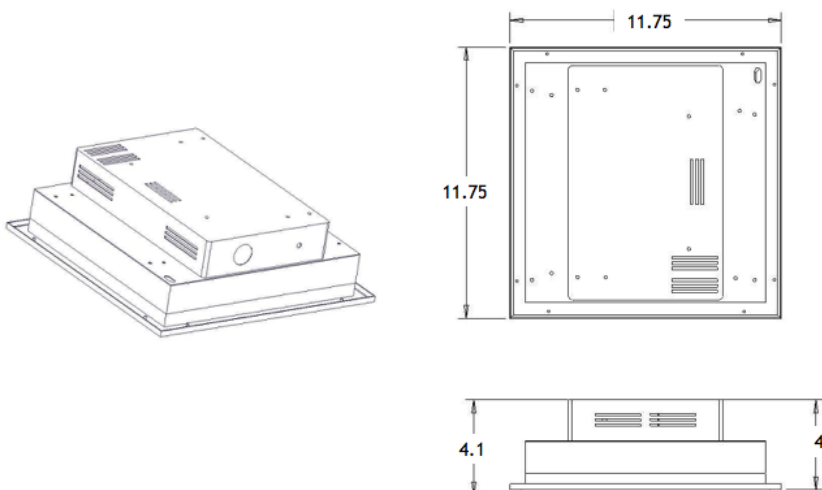
<b>Model name</b>	GTS11
<b>Size</b>	298mm x 298mm x 104mm (1' x 1' x 4.1" nominal)
<b>Power Consumption</b>	10 Watts to 20 Watts (Power factor +.9)
<b>Available CCT</b>	3000K to 6500K (Ergonomic Color Changing Feature Available)
<b>Illumination Data</b>	Up to 1700 Lumens@4000K, +85 CRI (85 Lumens / Watt)
<b>Material</b>	Steel housing, polycarbonate lens
<b>Voltage</b>	120V VAC/VDC Standard, 50~60Hz, UL Class 2 O/P, 277V and 347V optional
<b>Warranty</b>	5 years Limited
<b>L70</b>	+100,000 Calculated hours
<b>Safety</b>	CSA Certified

Sample part number

**GTS11-T-40-18W-V-120V-DW-WHITE**

( Please see ordering table for complete part number ordering options )

GTS11



## GO LED Troffer

Dimmable / Networkable LED General Lighting Fixture



Series	GTS11			
Mount Method	<b>T</b>	T-Bar Drop In (Standard)		
	<b>P</b>	Pendant Mount		
	<b>S</b>	Surface Mount / Wall Mount		
	<b>R</b>	Recessed		
CCT	<b>30</b>	3000k (+/- ~100k)	<b>50</b>	5000k (+/- ~100k)
	<b>35</b>	3500k (+/- ~100k)	<b>55</b>	5500k (+/- ~100k)
	<b>40</b>	4000k (+/- ~100k)	<b>60</b>	6000k (+/- ~100k)
	<b>45</b>	4500k (+/- ~100k)	<b>65</b>	6500k (+/- ~100k)
	<b>ER</b>	Ergonomic Color Changing Option with user-adjustable CCT range from 2700k to 6500k		
Wattage	<b>18W</b>	18 Watts (Standard)		
	<b>xxW</b>	Tunable from 10W to 20W		
Control Type	<b>V</b>	0 - 10V Dimming (Standard)		
	<b>L</b>	Lutron Ecosystem		
	<b>X</b>	DMX		
	<b>D</b>	DALI		
Input Voltage	<b>120V</b>	120V AC/DC (Standard)		
	<b>270V</b>	277V AC/DC		
	<b>347V</b>	347V AC/DC		
Lens Type	<b>DW</b>	Diffused White (Standard)		
	<b>PR</b>	High Output Prismatic		
	<b>TF</b>	High Output Textured Flat		
Body Finish	<b>WHITE</b>	(Standard)		
	<b>SILVER</b>			
	<b>BLACK</b>			

\* Custom Colors Available



## GO LED Luminaires

Dimmable / Networkable LED General Lighting Fixture

### Features

#### Quality

Compare GO's quality to any other manufacturer - from design and engineering to North American manufacturing and dedicated customer service, GO will stand out. And in side by side comparisons, GO products always deliver a noticeably better quality of light.

#### Natural Light

No flickering, no ballast noise, no EMI, UV or glare. Reduces eye strain, headaches and other workplace complaints associated with fluorescent lighting.

#### Dimmable

Can be dimmed with standard 0-10V wall-mount controller, IR remote control or automated sensor control. Components replaceable/upgradeable. Designed for field replaceable PCBs, power and control systems as technology becomes even more efficient. Retain the fixture, upgrade the technology.

#### Low Heat Generation

Low heat generation, extra saving through reduction of HVAC load.

#### Environment Friendly

No mercury, RoHS compliant, no disposal concern, highly robust – no glass to break and shatter.

#### Long Life

Reduces relamping cycle 2 to 5 times fewer than fluorescent systems – ROI <3 years typical.

#### Solid Construction

Robust metal construction with polycarbonate lens, sealed to resist infiltration by dust or insects and specifically designed for extra-long life.

#### High Uniformity

+85% consistency of luminance across planar surface.

#### Intelligent Lighting

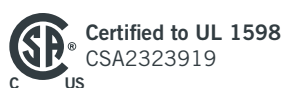
Compatible with building automation systems such as Lutron Ecosystem, DALI, DMX, etc, depending on the model.

#### Low Profile

Can be installed in shallow plenum space, mounts flush with ceiling. Profile as low as 4" available.



All finished products will be shipped under NAFTA Certificate of Origin



#### GO Lighting Technologies Inc.

5050 Dufferin Street, Unit 115 / Toronto ON M3H 5T5 / Canada  
Phone: 416-679-0259 / Phone (Toll-free): 866-571-7036 / Fax: 416-679-9452  
E-mail: info@goenergyeffective.com / www.goenergyeffective.com