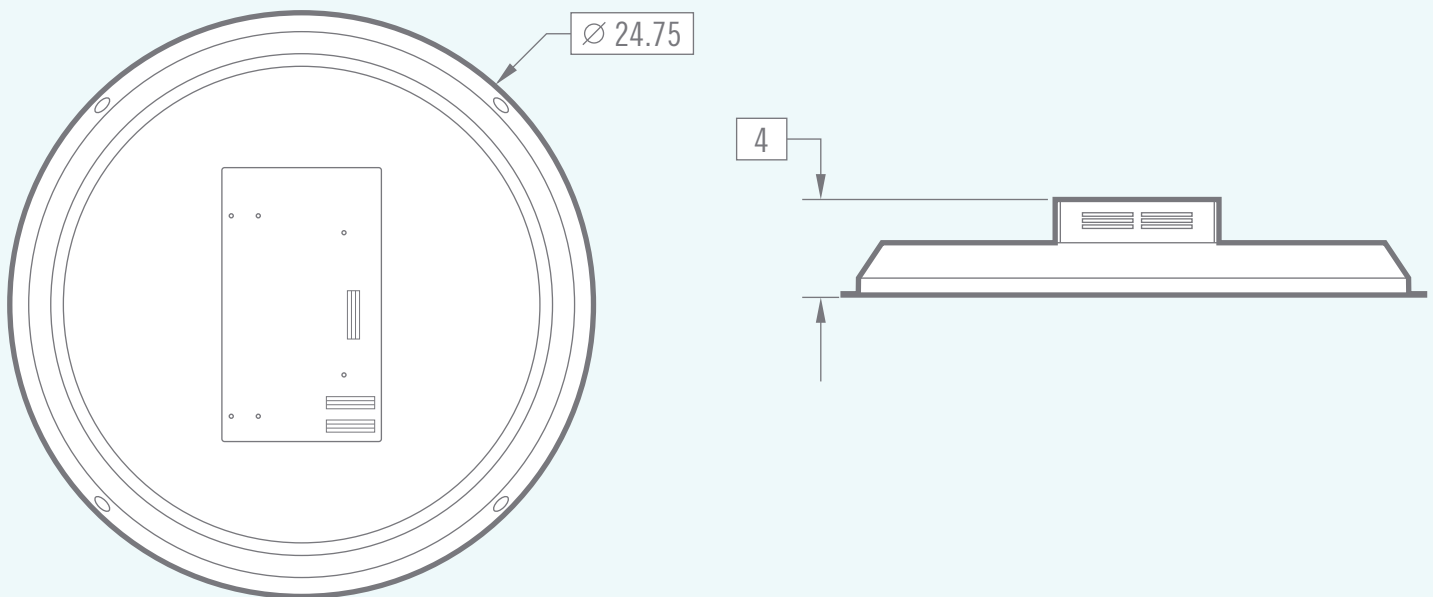


GO LED Troffer

Dimmable / Networkable LED General Lighting Fixture

Model Name	GTC01
Size	Ø598mm (Ø2' nominal)
Power Consumption	(30W to 50W) Power factor +.9
Available CCT	3000K to 6500K
Illumination Data	Up to 4000lm@4000K+85 CRI (80 lm / W)
Material	Steel housing, polycarbonate lens, RoHS
Voltage	VAC/VDC 90~290, 50~60Hz, UL Class 2 O/P
Control Method	0-10V standard, networkable
Control System	GO Intelligent Control (GICS) optional
Installation Kit	Surface mount or suspended
Warranty	5 years Limited
L70	+70,000 Calculated hours
Safety	CSA Certified





GO LED Troffer

Dimmable / Networkable LED General Lighting Fixture

Features

Quality

Compare GO's quality to any other manufacturer - from design and engineering to North American manufacturing and dedicated customer service, GO will stand out. And in side by side comparisons, GO products always deliver a noticeably better quality of light.

Natural Light

No flickering, no ballast noise, no EMI, UV or glare. Reduces eye strain, headaches and other workplace complaints associated with fluorescent lighting.

Dimmable

Can be dimmed to 5% brightness with standard 0-10V, IR remote control or automated sensor control. Components replaceable/upgradeable. Designed for field replaceable PCBs, power and control systems as technology becomes even more efficient. Retain the fixture, upgrade the technology.

Low Heat Generation

Low heat generation, extra saving through reduction of HVAC load.

Environment Friendly

No mercury, RoHS compliant, no disposal concern, highly robust – no glass to break and shatter.

Long Life

Reduces relamping cycle 2 to 5 times fewer than fluorescent systems – ROI <3 years typical.

Solid Construction

Robust 22 gauge, powder coated metal construction with polycarbonate lens, sealed to resist infiltration by dust or insects and specifically designed for extra-long life.

High Uniformity

+85% consistency of luminance across planar surface.

Intelligent Lighting

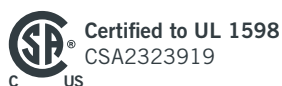
Compatible with building automation systems, 4 sensor inputs for autonomous intelligence, control up to 100 units with a single wall control.

Low Profile

Can be installed in shallow plenum space, mounts flush with ceiling.



All finished products
will be shipped
under **NAFTA**
Certificate of Origin



GO Lighting Technologies Inc.

5050 Dufferin Street, Unit 115 / Toronto ON M3H 5T5 / Canada
Phone: 416-679-0259 / Phone (Toll-free): 866-571-7036 / Fax: 416-679-9452
E-mail: info@goenergyeffective.com / www.goenergyeffective.com