

WIRING AND INSTALLATION INSTRUCTIONS

GO LIGHTING TECHNOLOGIES INC.

IMPORTANT SAFETY INFORMATION

PLEASE READ ALL INSTRUCTIONS BEFORE INSTALLATION

- BEFORE INSTALLING THIS FIXTURE OR DOING ANY MAINTENANCE, MAKE SURE TO TURN OFF THE POWER SUPPLY AT THE CIRCUIT BREAKER OR FUSE BOX.
- CHECK TO MAKE SURE THAT ALL FIXTURE CONNECTIONS HAVE BEEN PROPERLY MADE AND THE FIXTURE IS GROUNDED TO AVOID POTENTIAL ELECTRICAL SHOCKS.
- DO NOT HANDLE ENERGIZED FIXTURE WITH WET HANDS, WHEN STANDING ON WET OR DAMP SURFACES, OR IN WATER.

Due to constant product improvements and/or adjustments, actual unit may vary from what is represented in this document. Please use this document as a reference guide only and confirm actual details and/or dimensions with authorized GO Lighting personnel as needed. GO is not responsible for any lighting units damaged due to improper installation.

IMPORTANT SAFETY INSTRUCTIONS

Unless the networking option has been specified, the unit is designed to operate under AC wall switch control.

Designed for use in 90-240V (Canada) or 90-277V (USA), 50-60 Hertz protected circuit (fuse box, circuit breakers) and 90 degree C rated supply wire.



CAUTION:

Risk of Electric Shock

RISK OF PERSONAL INJURY

READ ALL INSTRUCTIONS

SAVE ALL INSTRUCTIONS

Do not connect Triac Dimmer to the Line voltage

Dry location use only.

IMPORTANT SAFETY INSTRUCTIONS

THIS LUMINAIRE MUST BE MOUNTED OR SUPPORTED INDEPENDENTLY OF AN OUTLET BOX

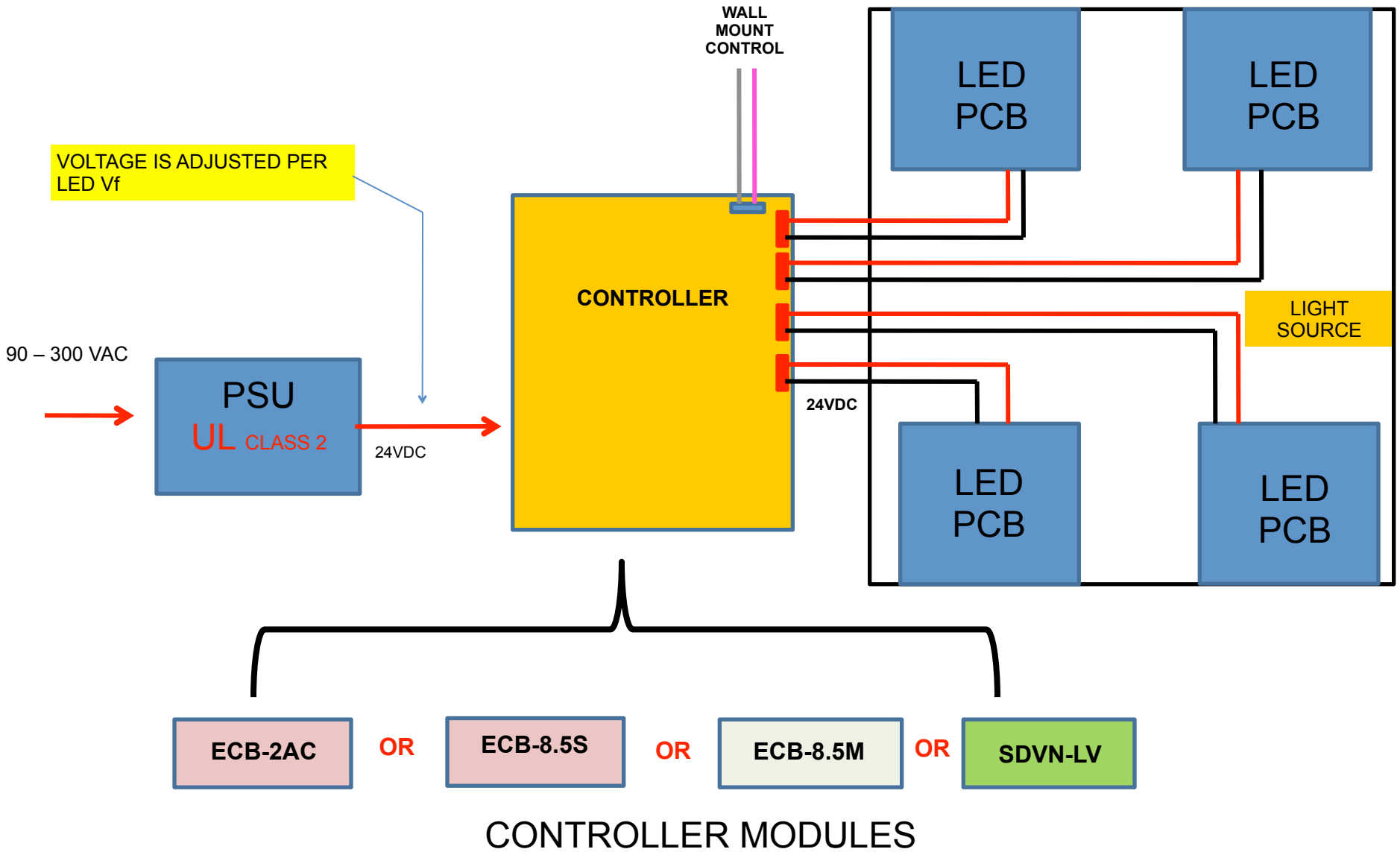
THIS PRODUCT MUST BE INSTALLED IN ACCORDANCE WITH THE APPLICABLE INSTALLATION CODE BY A PERSON FAMILIAR WITH THE CONSTRUCTION AND OPERATION OF THE PRODUCT AND THE HAZARDS INVOLVED

FOR CABLE USE ONLY – NOT FOR PULLING WIRES

CAUTION: DO NOT APPLY FORCE OR WEIGHT TO ANY INTERNAL WIRING OR DAMAGE TO THE UNIT MAY OCCUR. DO NOT SUSPEND THE JUNCTION BOX BY ANY OF THE INTERNAL WIRING DURING INSTALLATION. DO NOT PULL OR HOLD THE LUMINAIRE BY ANY OF THE ACCOMPANIED WIRES OR CABLES.

Due to constant product improvements and/or adjustments, actual unit may vary from what is represented in this document. Please use this document as a reference guide only and confirm actual details and/or dimensions with authorized GO Lighting personnel as needed. GO is not responsible for any lighting units damaged due to improper installation.

ELECTRICAL BLOCK DIAGRAM



Due to constant product improvements and/or adjustments, actual unit may vary from what is represented in this document. Please use this document as a reference guide only and confirm actual details and/or dimensions with authorized GO Lighting personnel as needed. GO is not responsible for any lighting units damaged due to improper installation.

WIRING

Due to constant product improvements and/or adjustments, actual unit may vary from what is represented in this document. Please use this document as a reference guide only and confirm actual details and/or dimensions with authorized GO Lighting personnel as needed. GO is not responsible for any lighting units damaged due to improper installation.

ASSEMBLY – HOUSING

ROUTE AC WIRES THROUGH Knockouts

90 – 277 VAC (White and Black wires)

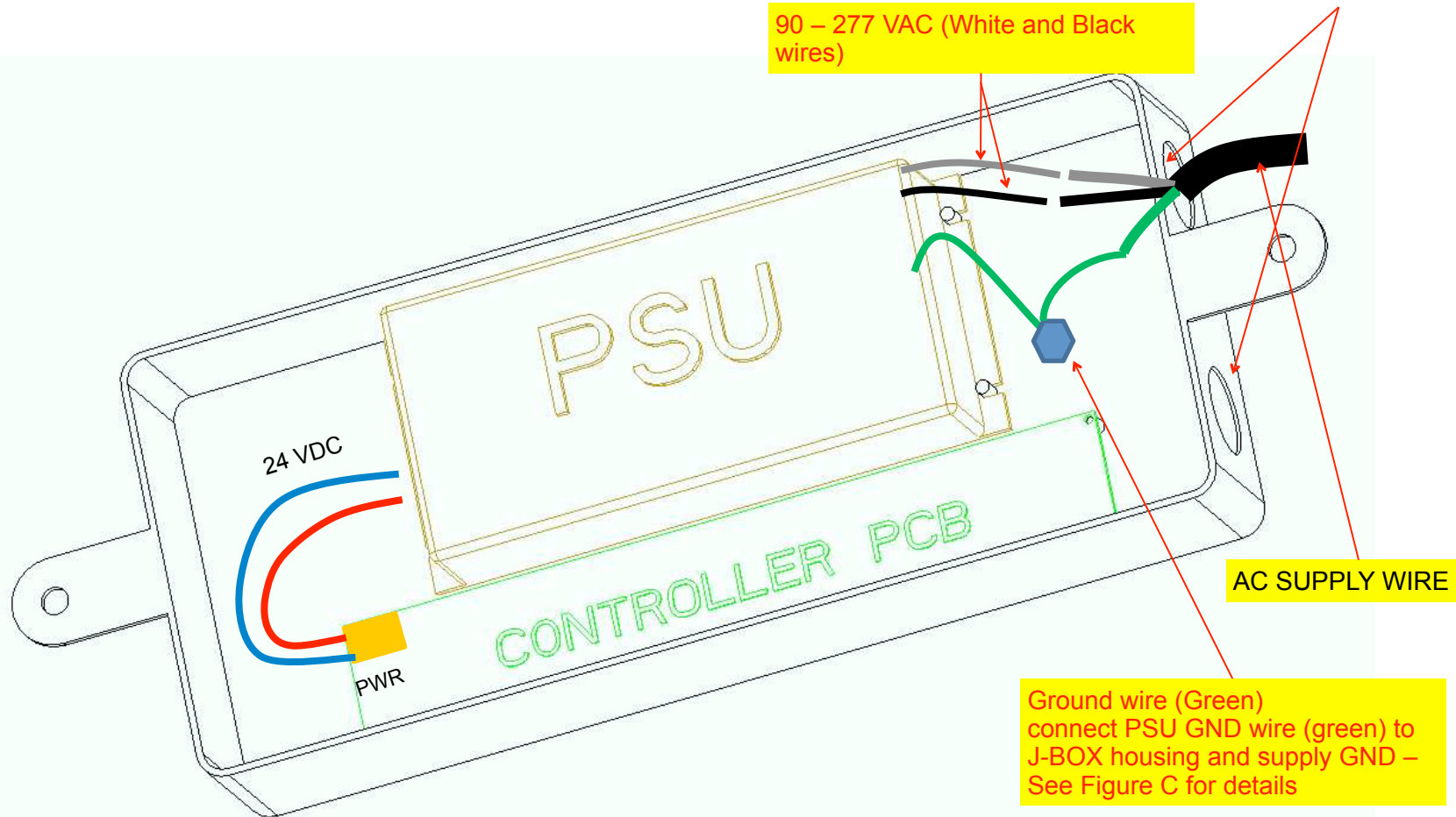


Figure 3a

Due to constant product improvements and/or adjustments, actual unit may vary from what is represented in this document. Please use this document as a reference guide only and confirm actual details and/or dimensions with authorized GO Lighting personnel as needed. GO is not responsible for any lighting units damaged due to improper installation.

GROUND WIRE CONNECTION

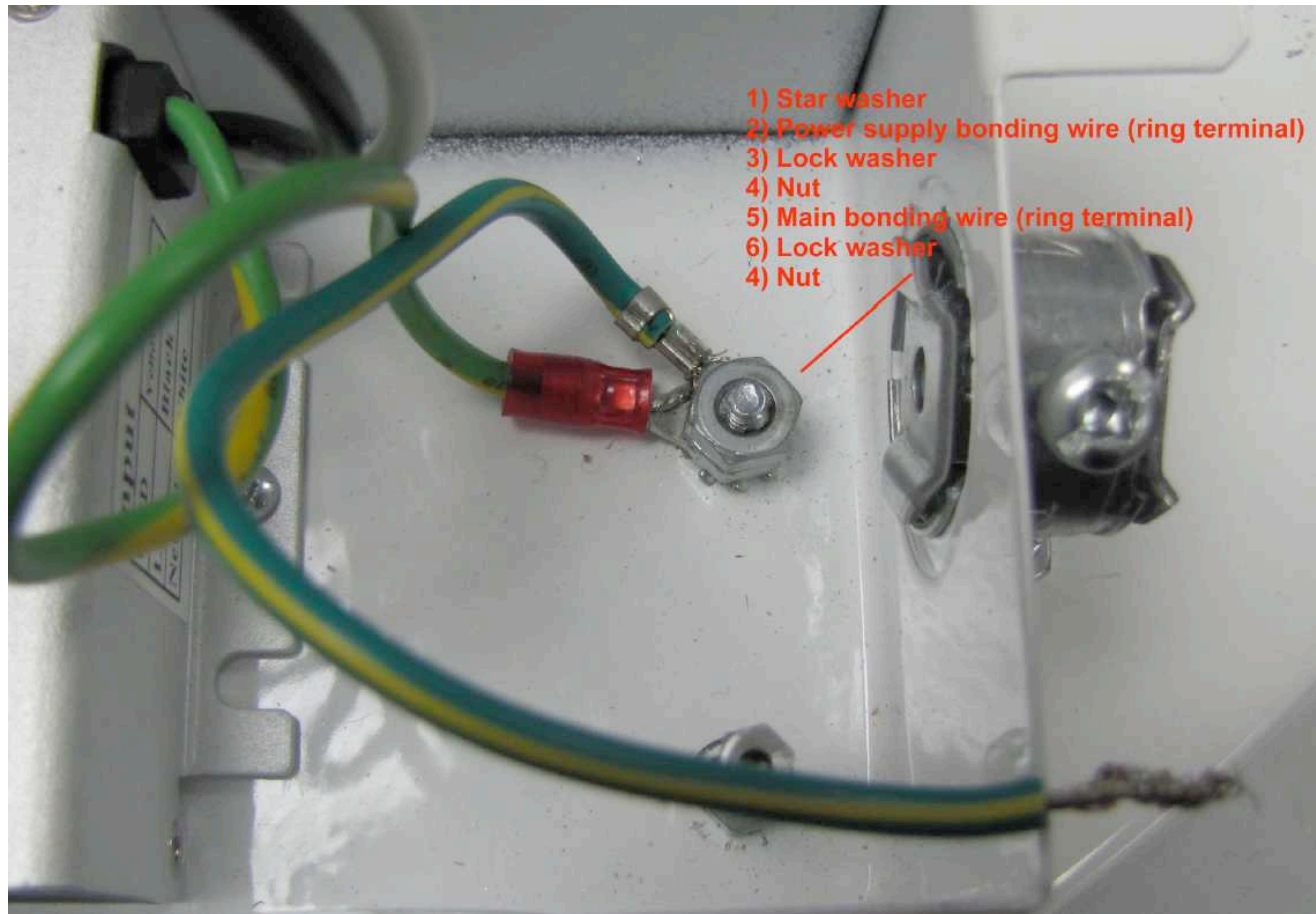
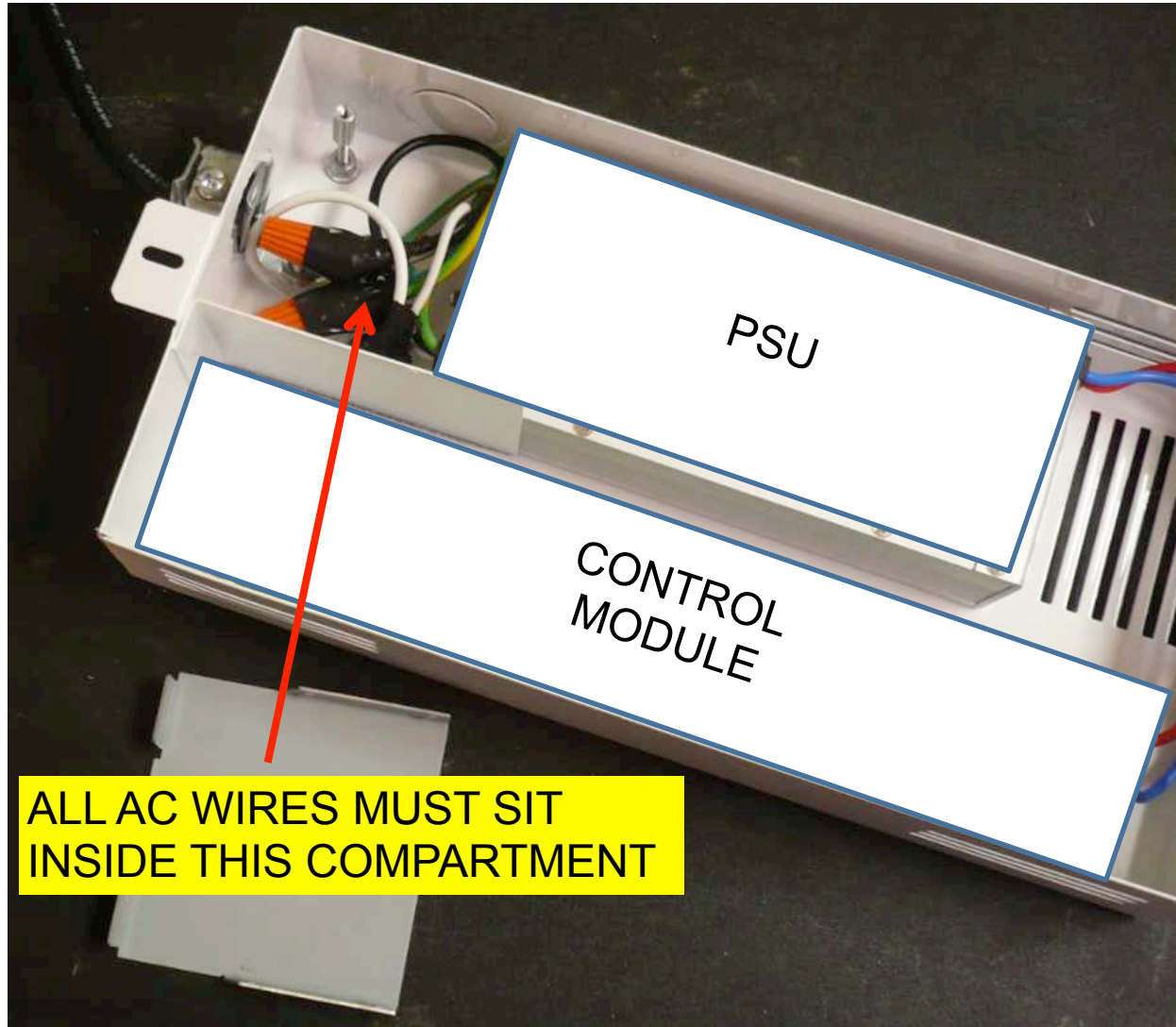


Figure C

Due to constant product improvements and/or adjustments, actual unit may vary from what is represented in this document. Please use this document as a reference guide only and confirm actual details and/or dimensions with authorized GO Lighting personnel as needed. GO is not responsible for any lighting units damaged due to improper installation.

AC WIRE ISOLATION

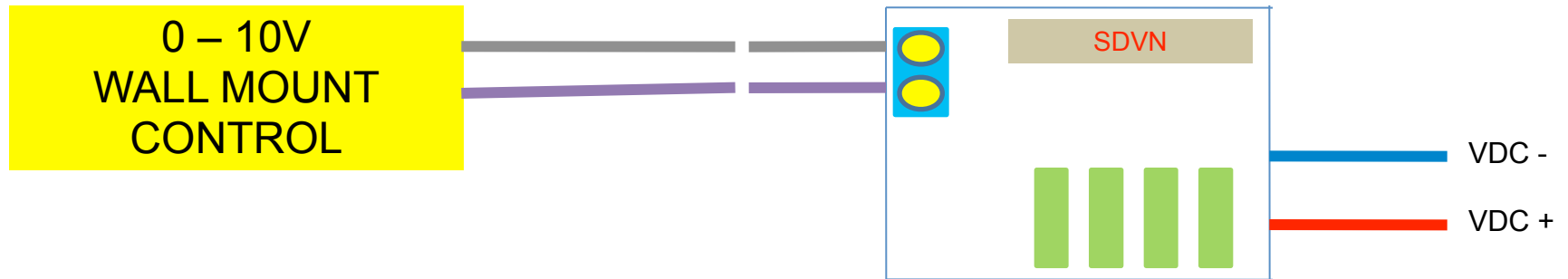


**ALL AC WIRES MUST SIT
INSIDE THIS COMPARTMENT**

Due to constant product improvements and/or adjustments, actual unit may vary from what is represented in this document. Please use this document as a reference guide only and confirm actual details and/or dimensions with authorized GO Lighting personnel as needed. GO is not responsible for any lighting units damaged due to improper installation.

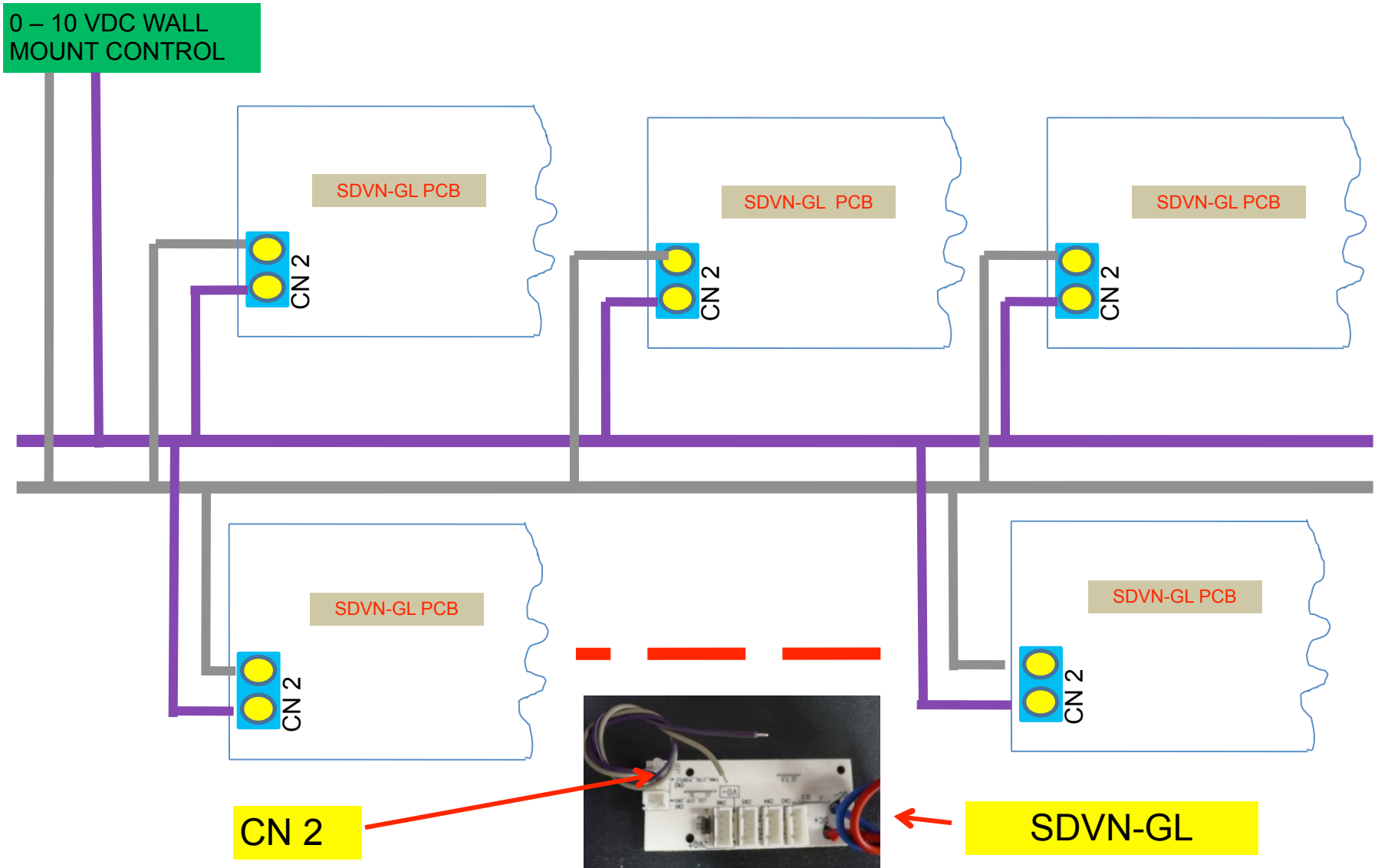
Non-Ergonomic Wiring

0-10VDC WALL MOUNT CONTROL (SDVN) - WIRING



Due to constant product improvements and/or adjustments, actual unit may vary from what is represented in this document. Please use this document as a reference guide only and confirm actual details and/or dimensions with authorized GO Lighting personnel as needed. GO is not responsible for any lighting units damaged due to improper installation.

NETWORKING - NON-ERGONOMIC - SDVN-GL



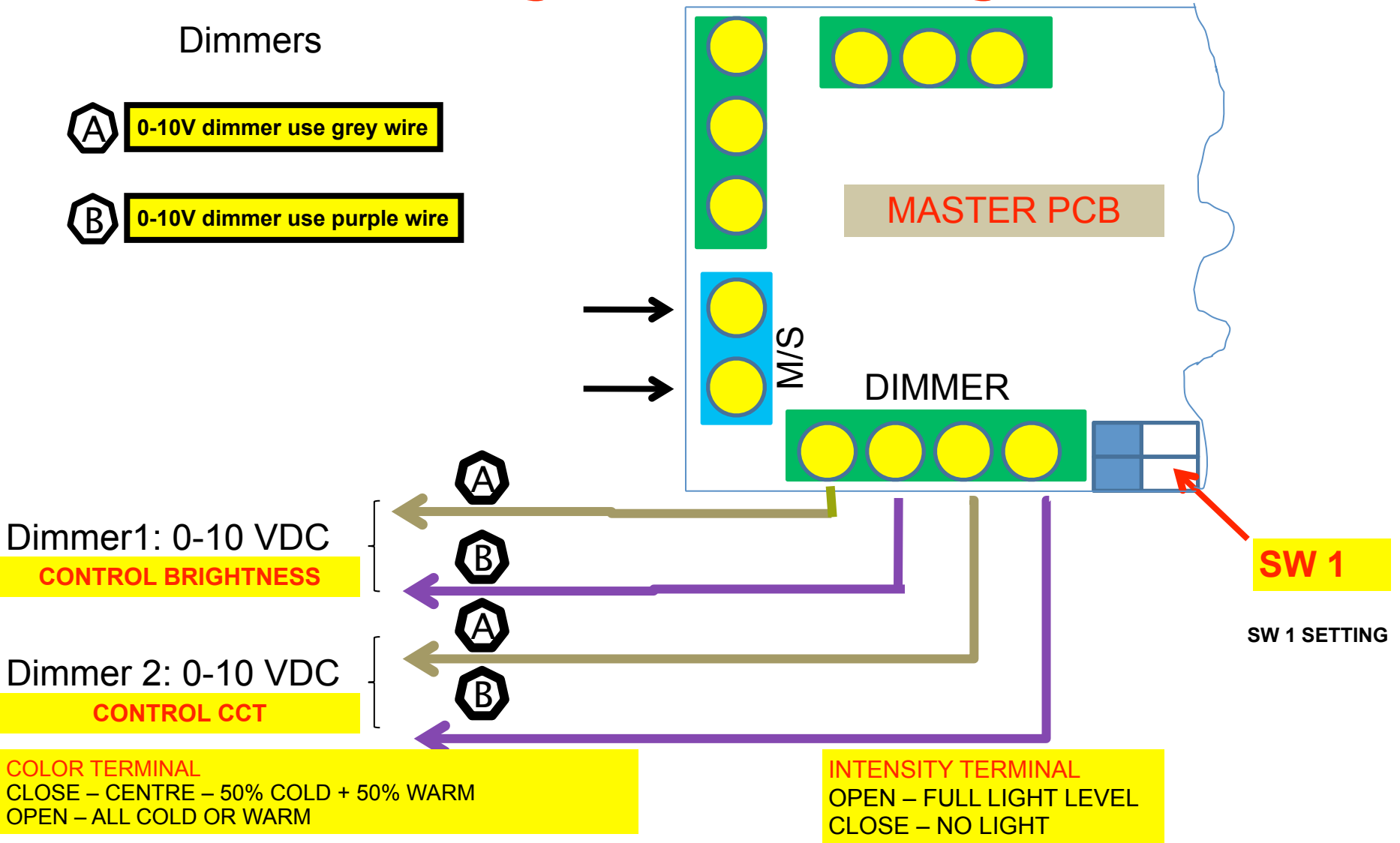
Due to constant product improvements and/or adjustments, actual unit may vary from what is represented in this document. Please use this document as a reference guide only and confirm actual details and/or dimensions with authorized GO Lighting personnel as needed. GO is not responsible for any lighting units damaged due to improper installation.

Ergonomic Wiring

Dimmers

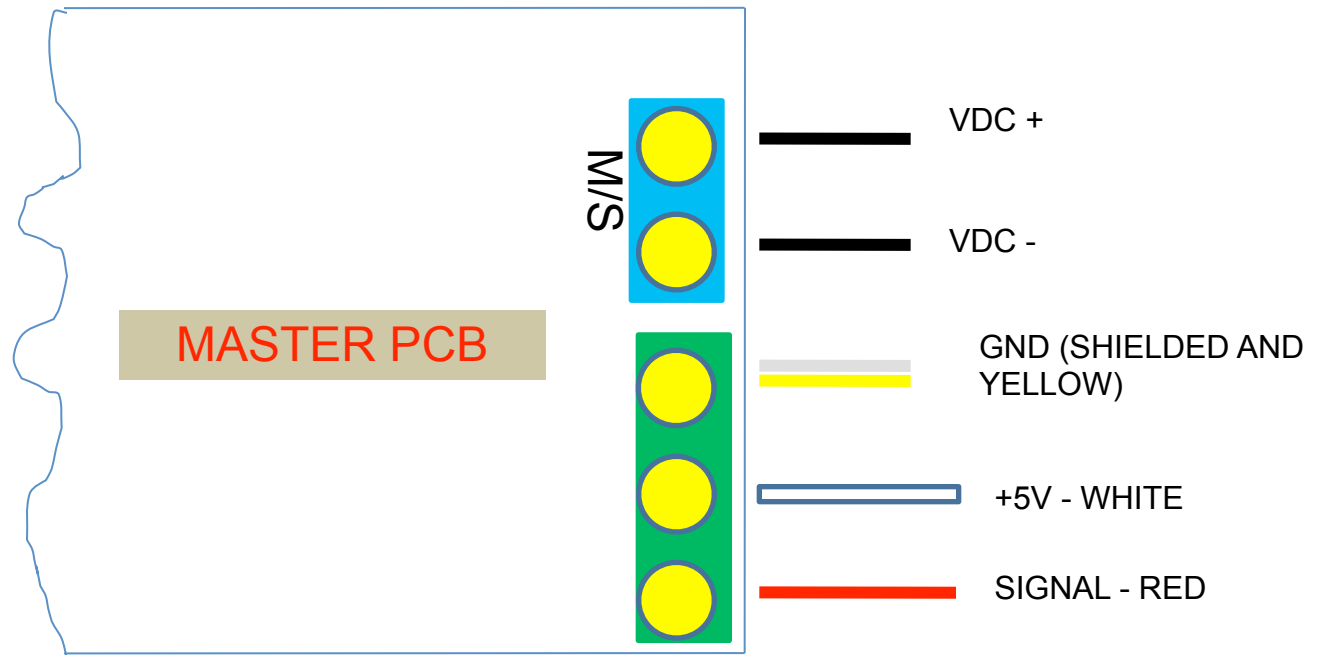
A 0-10V dimmer use grey wire

B 0-10V dimmer use purple wire



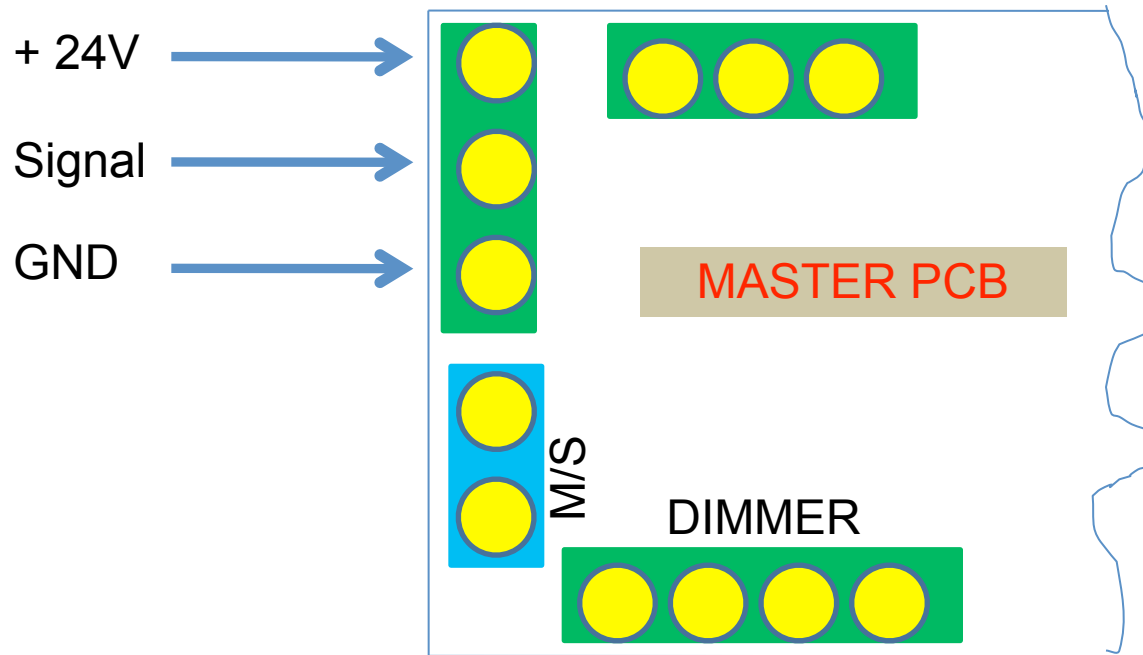
Due to constant product improvements and/or adjustments, actual unit may vary from what is represented in this document. Please use this document as a reference guide only and confirm actual details and/or dimensions with authorized GO Lighting personnel as needed. GO is not responsible for any lighting units damaged due to improper installation.

IR SENSOR



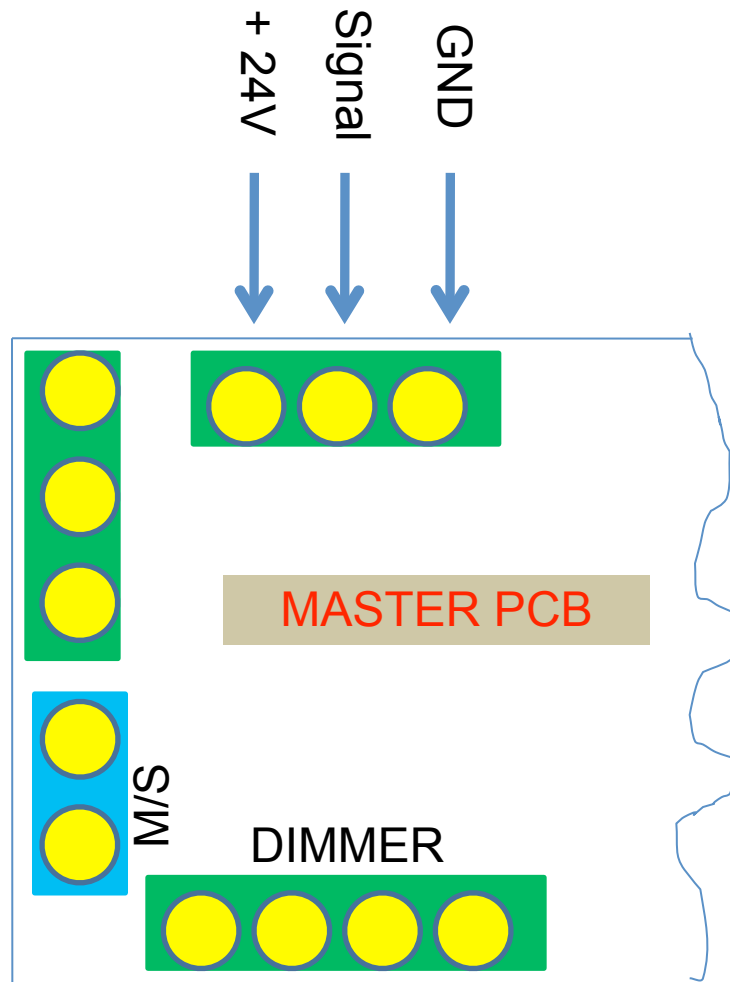
Due to constant product improvements and/or adjustments, actual unit may vary from what is represented in this document. Please use this document as a reference guide only and confirm actual details and/or dimensions with authorized GO Lighting personnel as needed. GO is not responsible for any lighting units damaged due to improper installation.

Daylight Photodetector Sensor



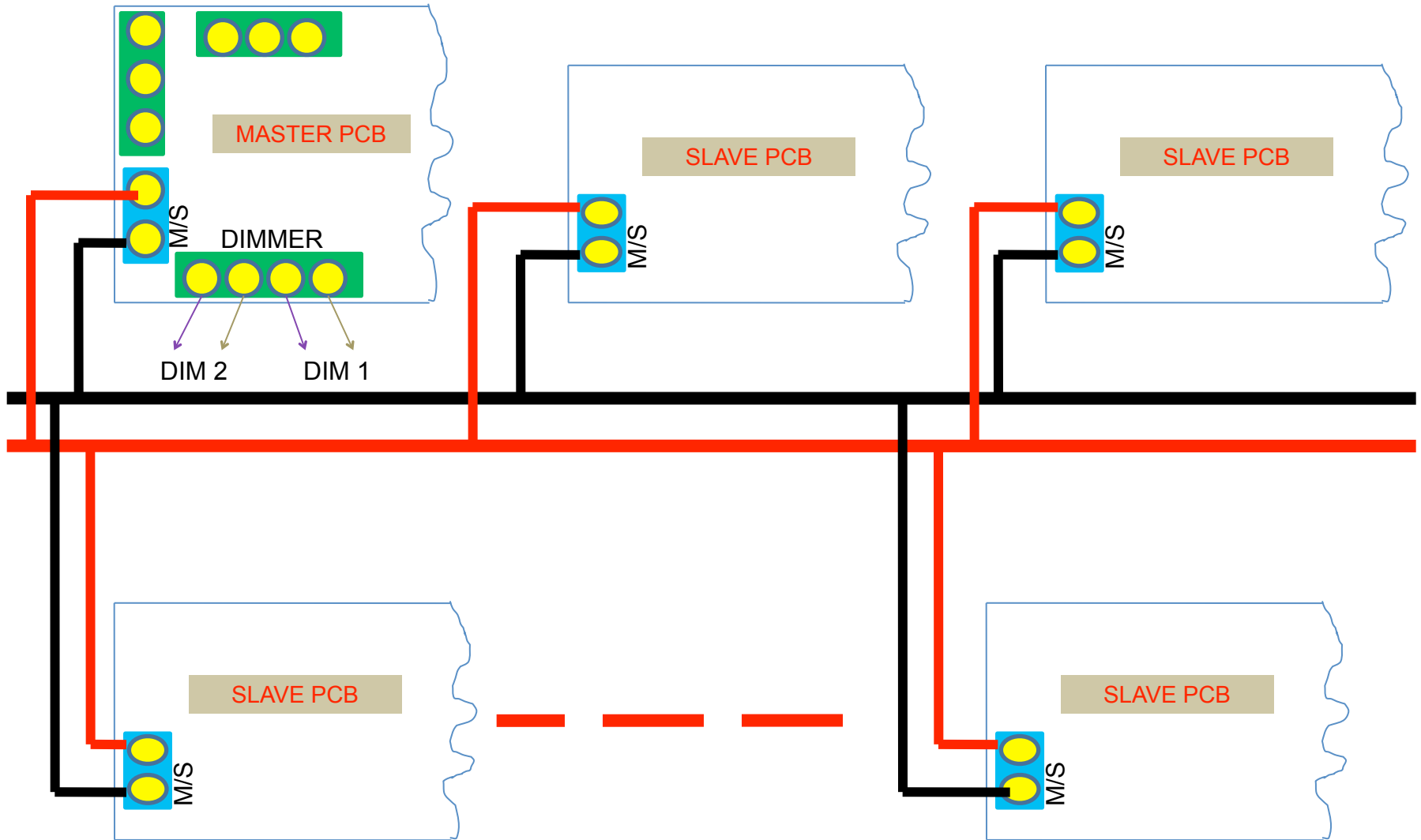
Due to constant product improvements and/or adjustments, actual unit may vary from what is represented in this document. Please use this document as a reference guide only and confirm actual details and/or dimensions with authorized GO Lighting personnel as needed. GO is not responsible for any lighting units damaged due to improper installation.

Occupancy



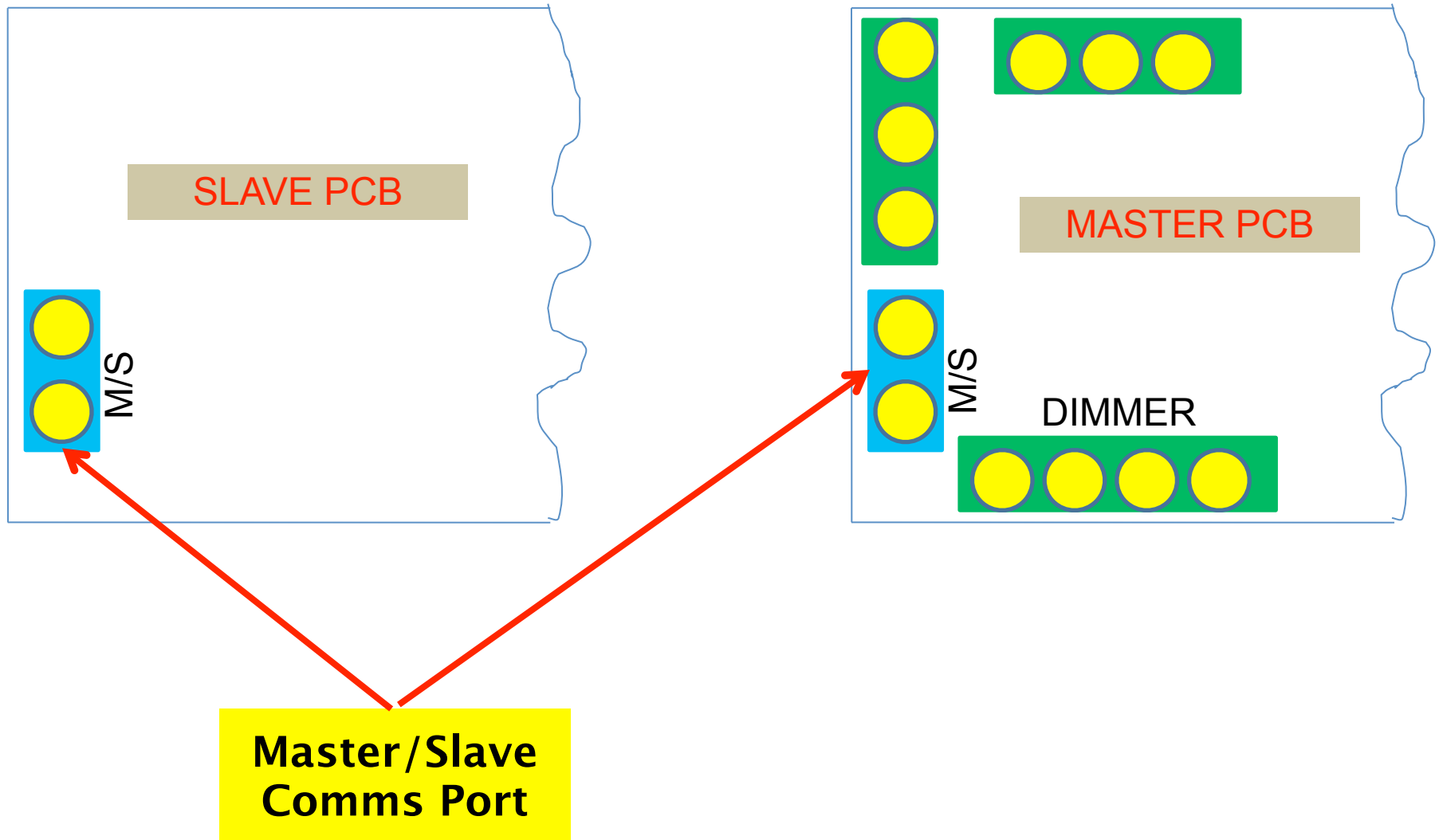
Due to constant product improvements and/or adjustments, actual unit may vary from what is represented in this document. Please use this document as a reference guide only and confirm actual details and/or dimensions with authorized GO Lighting personnel as needed. GO is not responsible for any lighting units damaged due to improper installation.

NETWORKING - ERGONOMIC



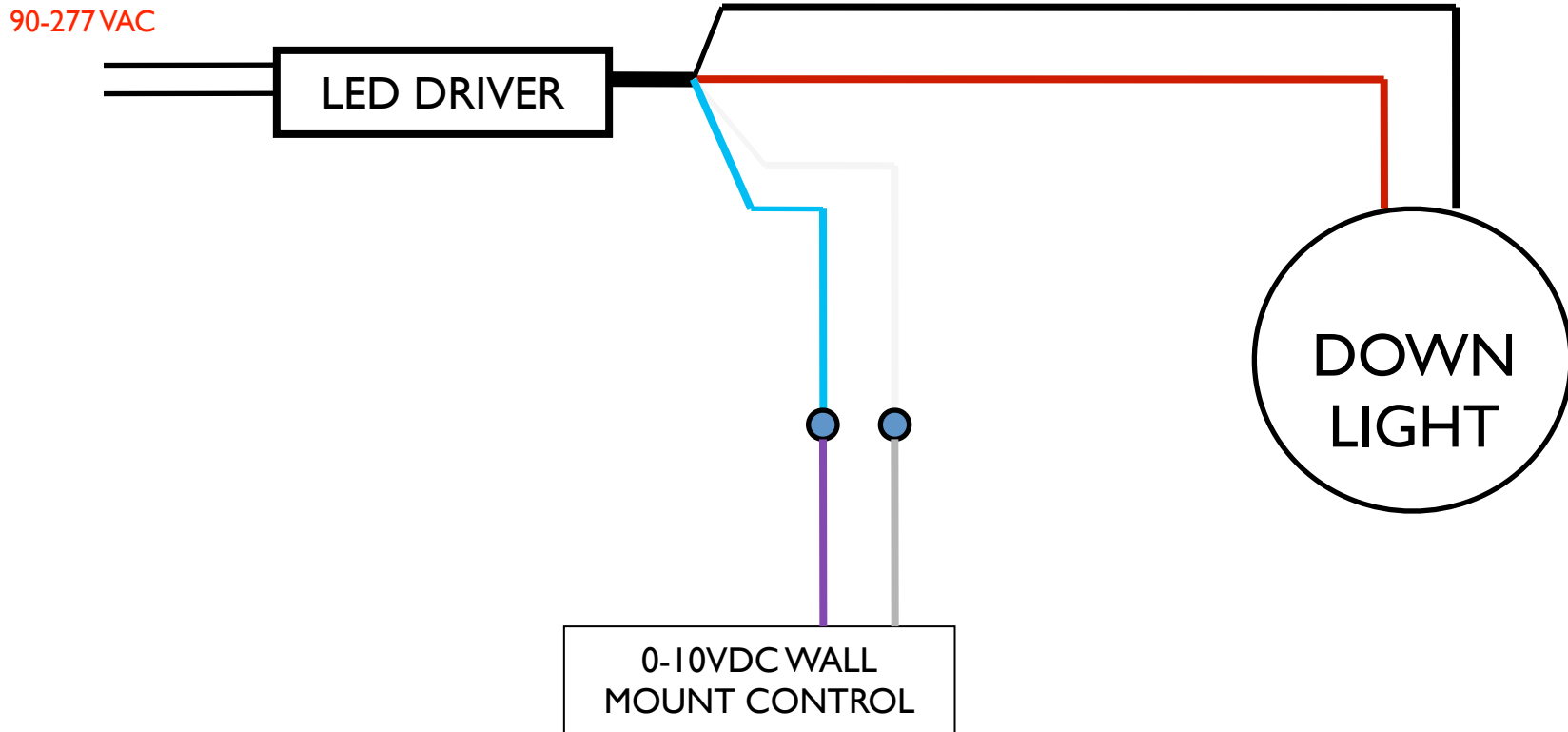
Due to constant product improvements and/or adjustments, actual unit may vary from what is represented in this document. Please use this document as a reference guide only and confirm actual details and/or dimensions with authorized GO Lighting personnel as needed. GO is not responsible for any lighting units damaged due to improper installation.

NETWORKING - ERGONOMIC



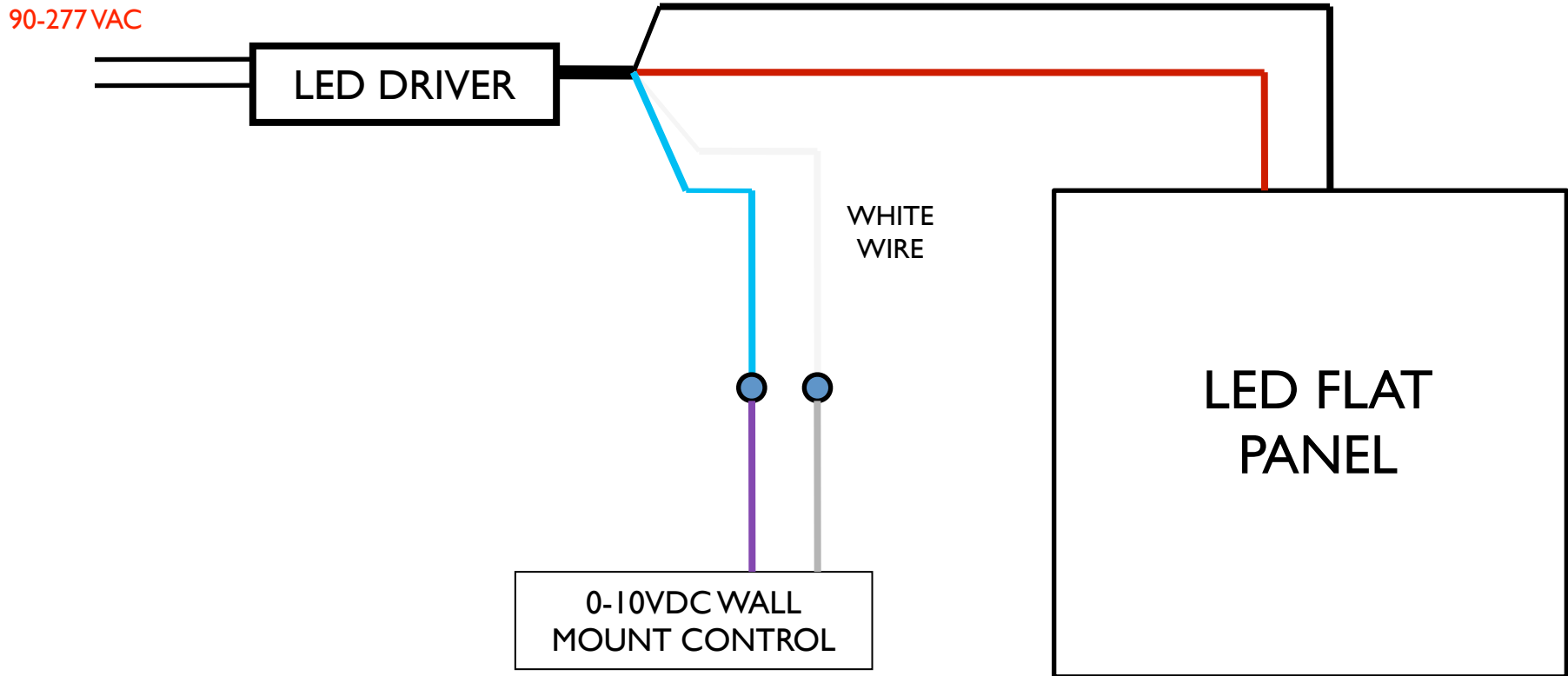
Due to constant product improvements and/or adjustments, actual unit may vary from what is represented in this document. Please use this document as a reference guide only and confirm actual details and/or dimensions with authorized GO Lighting personnel as needed. GO is not responsible for any lighting units damaged due to improper installation.

DOWN LIGHT WIRING



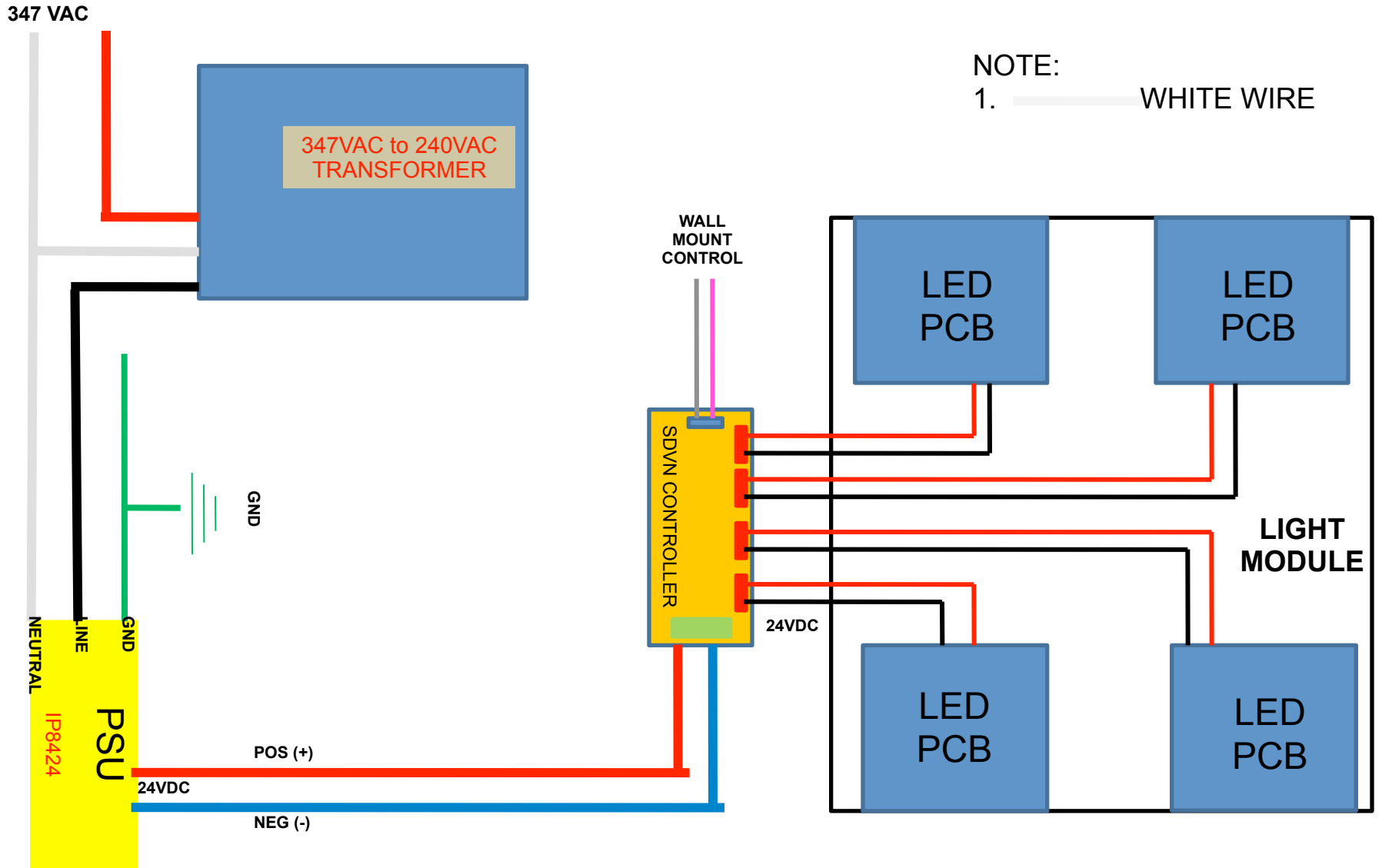
Due to constant product improvements and/or adjustments, actual unit may vary from what is represented in this document. Please use this document as a reference guide only and confirm actual details and/or dimensions with authorized GO Lighting personnel as needed. GO is not responsible for any lighting units damaged due to improper installation.

FLL - FLAT PANEL WIRING



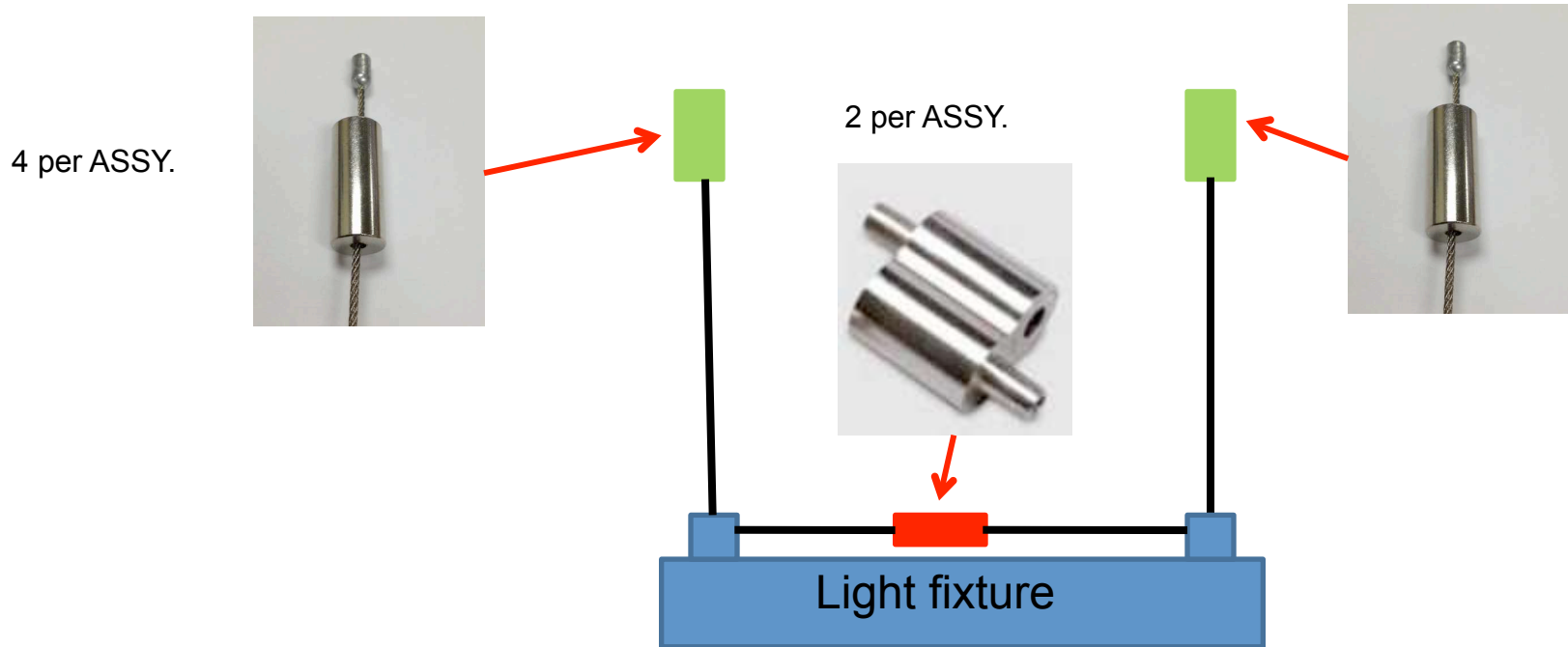
Due to constant product improvements and/or adjustments, actual unit may vary from what is represented in this document. Please use this document as a reference guide only and confirm actual details and/or dimensions with authorized GO Lighting personnel as needed. GO is not responsible for any lighting units damaged due to improper installation.

347VAC ELECTRICAL



Due to constant product improvements and/or adjustments, actual unit may vary from what is represented in this document. Please use this document as a reference guide only and confirm actual details and/or dimensions with authorized GO Lighting personnel as needed. GO is not responsible for any lighting units damaged due to improper installation.

SUSPENSION KIT – GSK1



Please note that Suspension Kit options are highly customizable and what is represented here is merely the most common application. Please contact an authorized GO Lighting representative to discuss specific suspension kit options for your application.

Due to constant product improvements and/or adjustments, actual unit may vary from what is represented in this document. Please use this document as a reference guide only and confirm actual details and/or dimensions with authorized GO Lighting personnel as needed. GO is not responsible for any lighting units damaged due to improper installation.